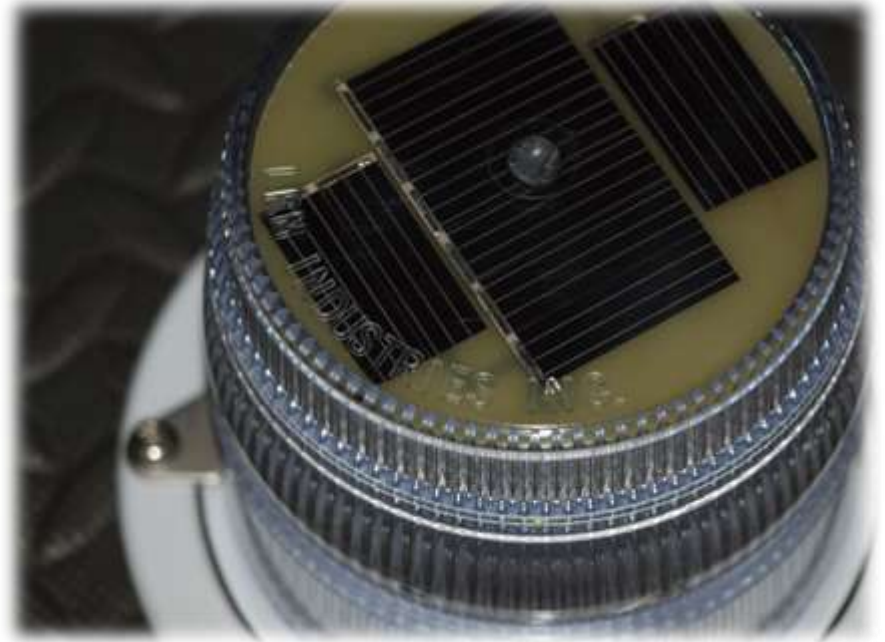


# 1 Nautical Mile Marine Lantern

Designed to excel in the most hostile conditions.


Small size does not mean small performance. The LRM T81e has advanced features such as industry leading beam quality, Advanced Charge Management System, and even optional GPS synchronization.



### THE T81e ADVANTAGE

- Enhanced marine safety at minimal cost
- Easy installation - just bolt lantern down
- Works in any location even fully shaded areas (primary)
- Fits on small buoys
- Proven reliability and performance
- Easy in service battery replacement

### Ordering Information

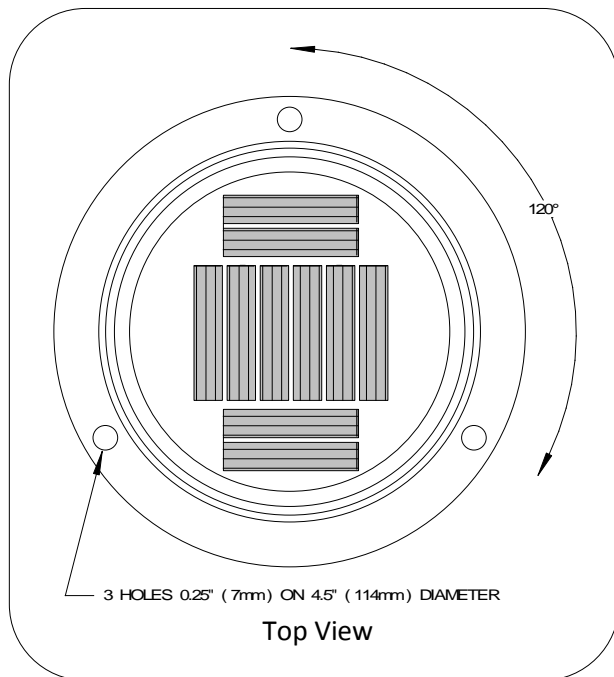
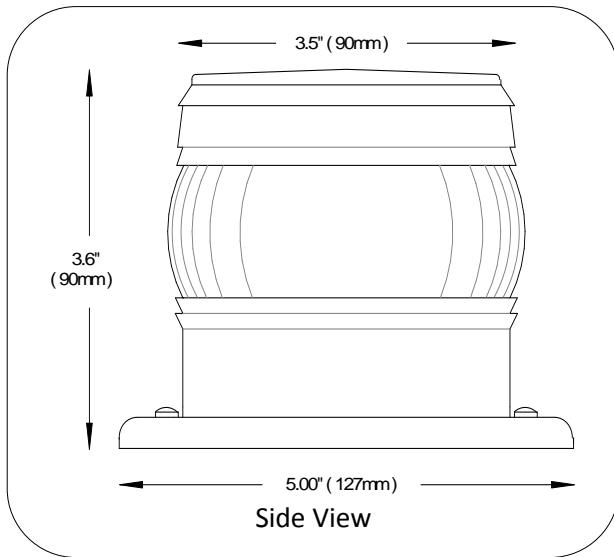
	T81A - xxxFC	Amber Lantern	(xxx = flash code)
	T81R - xxxFC	Red Lantern	(xxx = flash code)
	T81G - xxxFC	Green Lantern	(xxx = flash code)
	T81W - xxxFC	White Lantern	(xxx = flash code)
	T81B - xxxFC	Blue Lantern	(xxx = flash code)

### Accessories

PGM256e Programmer	Universal Flash Code Programmer
T81 - BD	Stainless Steel Bird Deterrent
T81 - 1500BP	Replacement Battery Pack
T8x - GPS	GPS Sync Module

This equipment complies with requirements of the U.S. Coast Guard in 33 CFR part 66.

# Marine Lantern



## SPECIFICATIONS

**Colors:** Amber, Red, Green, White, and Blue

**Flash Patterns:** 255 IALA flash patterns or user defined pattern

**Light Source:** 5/10 elliptically focused high intensity LEDs

**Optical Rating:** 1 Candela minimum / 12 degrees vertical divergence

**Expected Service Life:** 15 years (Battery replacement every 5 years)

**Materials:** UV-Stabilized Lexan® Polycarbonate, 18-8 Stainless hardware

**Temperature Range:** -25° to +70° Celsius (-15° to 150° Fahrenheit)

**Physical:** 250 grams (0.6 lb.), IP68 rated

**Warranty:** Full 3 years

**FOR MORE INFORMATION CONTACT:**